

# Control system of shutter.....

## 1. Requirements

Control the shutter of a house by using FAB, the manual or automatic operation is selected by the selector switch. The shutter is rolled up or down automatically according to the time, darkness and brightness.

## 2. FAB Solution

The shutter can be manually controlled via the switches I2 and I3, provided that the selector switch I6 is not set at automatic position.

Automatic operation:

The selector switch(I6) must be set at automatic position for automatic operation. If the photosensitive switch (I1) is activated, the shutter is closed in the period time from 6:00 in the evening to 7:00 in the next morning, and opened in the period time from 7:00 in the morning to 6:00 in the evening.

## 3. Components used

Input	Output
I1 Photosensitive switch(NO contact)	Q1 Shutter-open
I2 Manual switch-open(NO contact)	Q2 Shutter-close
I3 Manual switch-close(NO contact)	
I4 Limit switch-open(NO contact)	
I5 Limit switch-close(NO contact)	
I6 Selector switch-automatic mode	

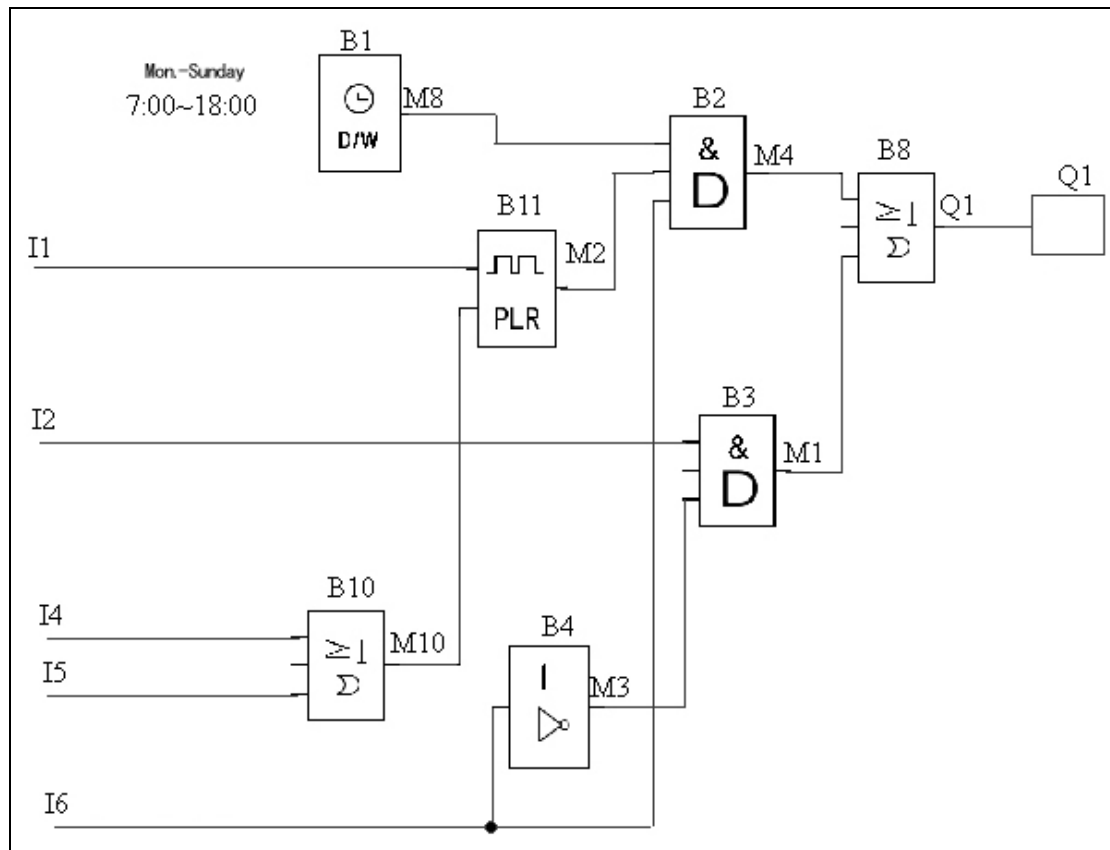
## 4. Advantages and Specialties

The times can easily be adjusted by any case, e.g. different times on workdays, weekend and holidays.

Energy saving by using of time switch and photosensitive switch.

## 5. Software Circuit Diagram

Part I .....



Part II.....

