

# Lighting in a Sports Hall .....

## 1. Requirements

The lighting in the sports hall and changing room of a school is controlled using FAB. As various sports clubs have also rented the sports hall in the evenings, FAB has been programmed to switch the lighting off at a set time so that only the clubs use the hall in permitted time, and the lighting can be switched on and off completely.

## 2. FAB Solution

The lighting in the sports hall (Q1 and Q2) can be switched on and off via the button I1, the lighting in the changing room can be switched on and off via the button I2.

The lighting is switched off in the evening via the integrated time switch. At PM9:45 a horn sounds for 5 seconds to warn that the time is up.

There is time to leave the sports hall and switch off the light. At PM10:00 the light group 1 in the sports hall (Q1) is switched off and at PM10:15 the light group 2 in the sports hall (Q2). At PM10:25 the light in the changing room is switched off, the light can't be switched on again after that.

Via the center switch, the lighting can be switched on and off completely independently (e.g. by guarder).

Via the locking switch I4, the lighting is shut off during holiday.

## 3. Components used

Input	Output
I1 Sports hall lighting button(NO contact)	Q1 Sports hall light group 1
I2 Changing room lighting button(NO contact)	Q2 Sports hall light group 2
I3 Center switch((NO contact)	Q3 Changing room light
I4 Locking switch for holidays(NO contact)	Q4 Horn

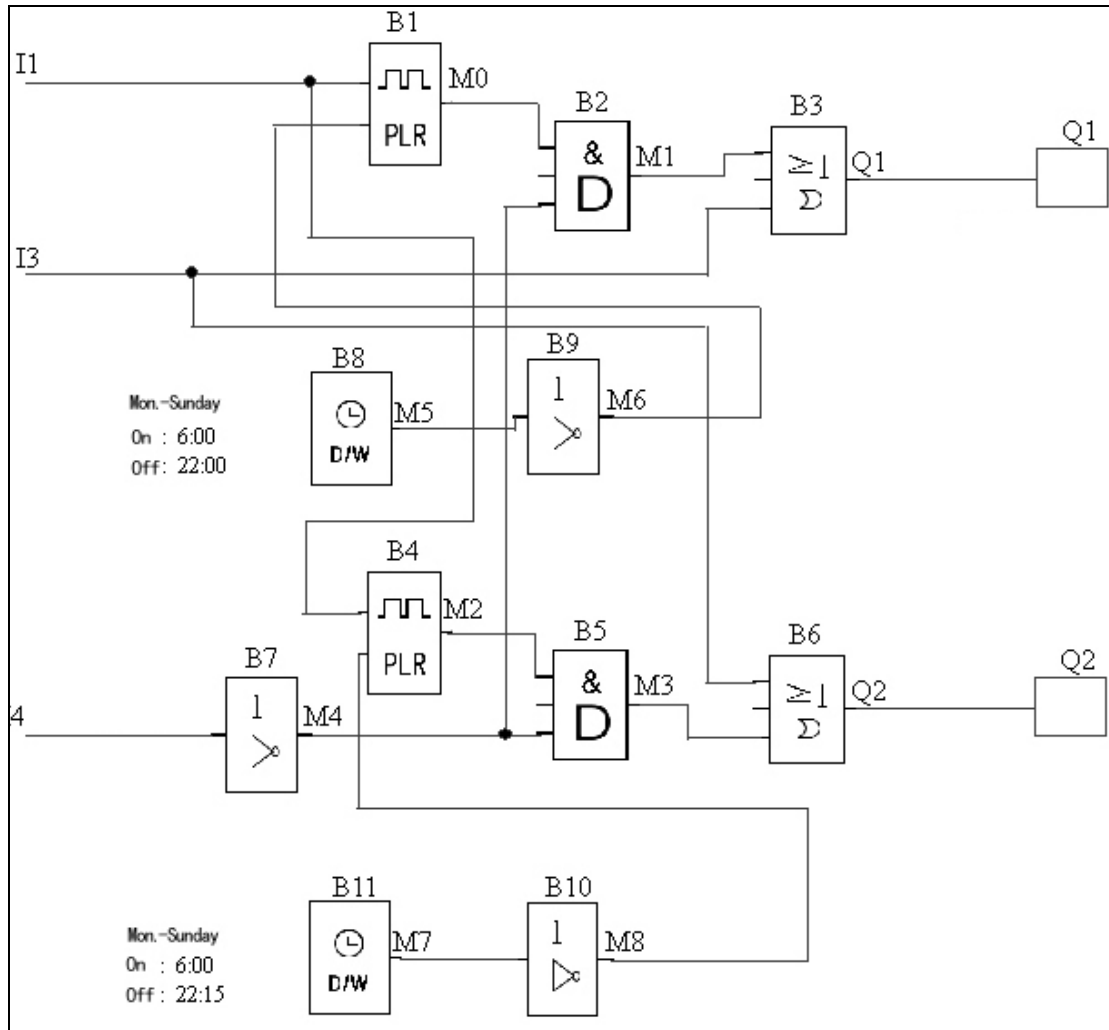
## 4. Advantages and Specialties

The system can easily be adapted for other times of sports hall.

Fewer components are necessary than the traditional solutions.

## 5. Software Circuit Diagram

### Part I .....



Part II.....

