

Air condition system.....

1. Requirements

A ventilation system can supply fresh air to a room and exclude the exhaust from a room. The room can't become over-press at any time. The fresh air device may only run when the exhaust device is in working order. An indicator light is intended to indicate the failure of air condition system.

2. FAB Solution

The ventilation system is monitored with air flow sensors. When no air flow is measured, and a short delay has elapsed, the system is switched off and a fault is reported, this can be acknowledged by pressing Stop button.

3. Components used

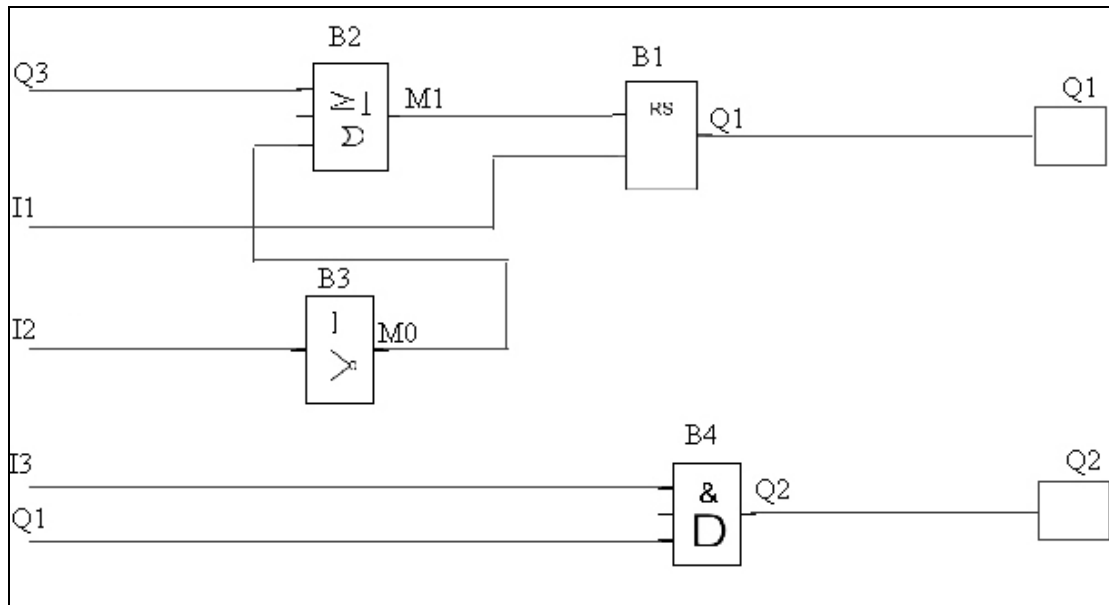
Input	Output
I1 Start button	Q1 exhaust air device
I2 Stop button(NC contact)	Q2 fresh air device
I3 exhaust flow sensor	Q3 alarm light
I4 Fresh air flow sensor	

4. Advantages and Specialties

Fewer components are required than the traditional solutions. This allows a saving to be made in installation time and space in the control cabinet.

5. Software Circuit Diagram

Part I



Part II.....

